

PalletPal® Roll-On

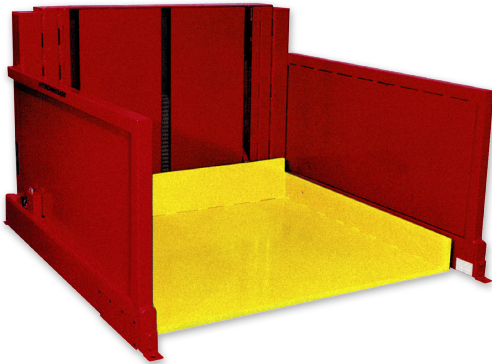
For Use with Hand Pallet Trucks

With internal hydraulic power, PalletPal® Roll-On™ Level Loaders lower to floor height so pallets can be rolled on and off with a hand pallet truck. The lift is then easily adjusted by pushbutton or foot switch control to maintain an ideal height for manual loading and unloading. The narrow side and back panels provide easy reachover for four sided-access.

Now available with One Touch Auto Leveling

Allows the operator to “dial-in” the exact increment of travel for loading or unloading. It will also return the platform to full height (or to fully lowered position) at the touch of a button.

Roll-On Level Loader



One Touch Auto-Leveling

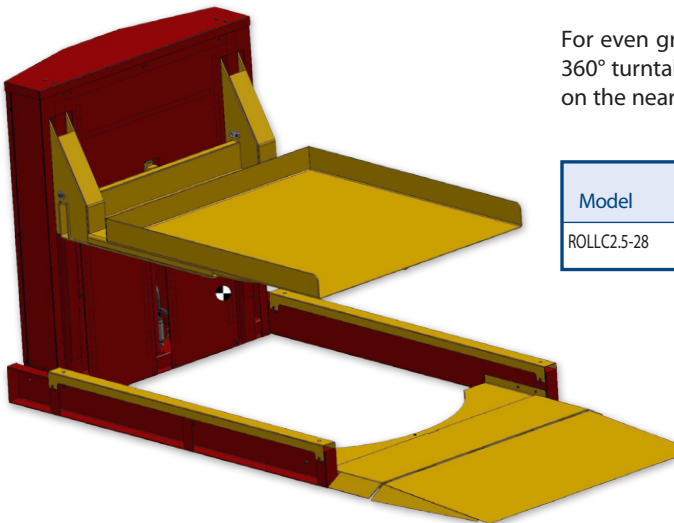
Allows the operator to “dial-in” the exact increment of travel for loading or unloading at “one touch of the button.”

PalletPal® Roll-On™ Level Loaders are easily adjusted by pushbutton or foot switch control to maintain an ideal height for manual loading and unloading. The narrow side and back panels provide easy reach over for four sided access.

| Model | Capacity | Platform Size | Lowered Height | Raised Height | Raising Time | Power | Approx. Weight |
|-------------|------------|---------------|----------------|---------------|--------------|-----------|----------------|
| ROLLC2.5-28 | 2,500 lbs. | 40" x 48" | 3/8" | 28 3/8" | 22 sec. | 115/1/60V | 1,350 lbs. |
| ROLLC2.5-28 | 2,500 lbs. | 44" x 48" | 3/8" | 28 3/8" | 22 sec. | 115/1/60V | 1,500 lbs. |
| ROLLC2.5-28 | 2,500 lbs. | 52" x 48" | 3/8" | 28 3/8" | 22 sec. | 115/1/60V | 1,650 lbs. |
| ROLLC4-28 | 4,000 lbs. | 40" x 48" | 3/8" | 28 3/8" | 30 sec. | 115/1/60V | 1,500 lbs. |
| ROLLC4-28 | 4,000 lbs. | 44" x 48" | 3/8" | 28 3/8" | 30 sec. | 115/1/60V | 1,650 lbs. |
| ROLLC4-28 | 4,000 lbs. | 52" x 48" | 3/8" | 28 3/8" | 30 sec. | 115/1/60V | 1,800 lbs. |

Works with any pallet or skid, even closed-bottom.

PalletPal Roll-On Level Loader with Turntable



For even greater convenience, this unit features a built-in, hand pallet truck accessible 360° turntable. Workers can spin the pallet so they are always loading and unloading on the nearside. Toe protection on all three working sides.

| Model | Capacity | Platform Size | Lowered Height | Raised Height | Raising Time | Power | Approx. Weight |
|-------------|------------|---------------|----------------|---------------|--------------|-----------|----------------|
| ROLLC2.5-28 | 2,500 lbs. | 44" x 48" | 2" | 30" | 30 sec. | 115/1/60V | 1,400 lbs |

Units are equipped with either pushbutton or foot switch control.

Works with any pallet or skid, even closed-bottom.

SOUTHWORTH
making work faster, safer, and easier

Southworth Products Corp

TEL: (800) 743-1000 FAX: (207) 797-4734

www.SouthworthProducts.com

email: salesinfo@SouthworthProducts.com